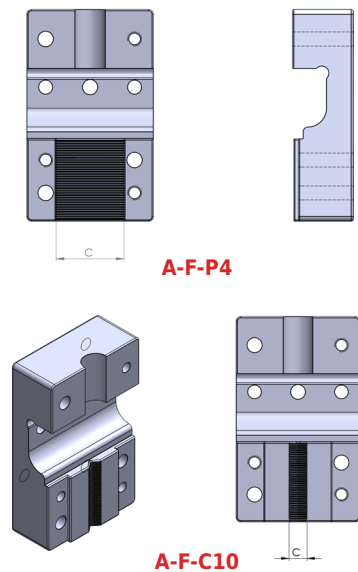
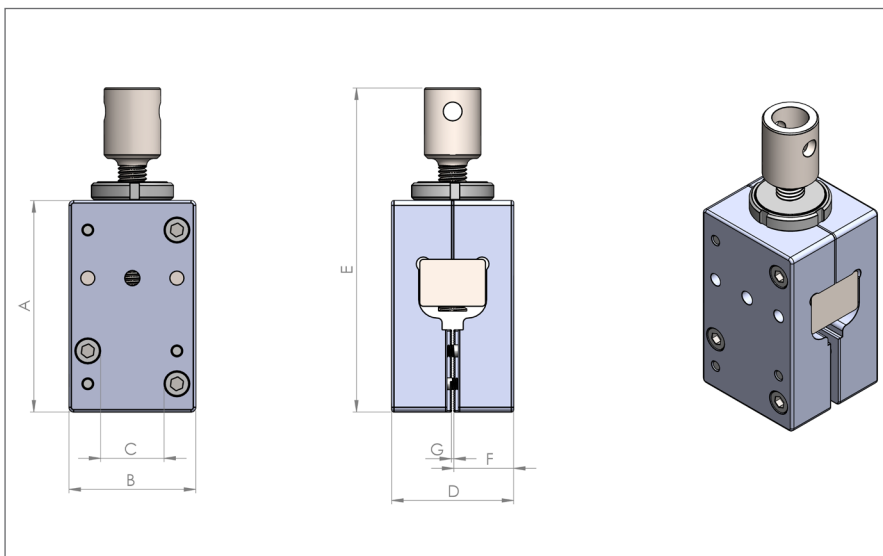


### VICE GRIPS FOR DYNAMIC TEST A-F SERIES

Lightweight grips with high clamping forces for fatigue testing. Suitable for specimens made of steel, aluminium, plastics, carbon-fibre-reinforced polymers (CFRP), and composite materials.

Features:

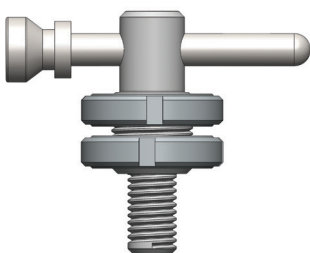
- Serrated jaws for flat samples and v-jaws for round samples
- "Available for specimens with thicknesses up to 4 mm (A-F-P series) and diameters up to 6 mm (A-F-C series)
- Made of 6082 OX aluminium alloy
- Max load 10 kN
- Quick-release mounting system using A-AV-10 series connectors



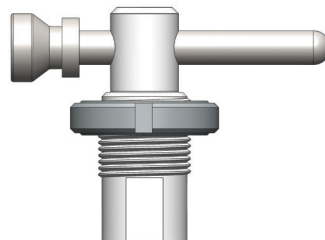
CODE	Description	Material	Force kN	A	B	C	D	E	F	G	weight kg
				mm							
A-F-P4	Flat sample jaw	Anticorodal	10	90	52-56	29	55	138	26	1-4*	0.60
A-F-C10	Round sample V-jaw					8				6-10**	

\* clampable specimen thickness range  
\*\* clampable specimen diameter range

**A-AV-10 MALE**



**A-AV-10 FEMALE**



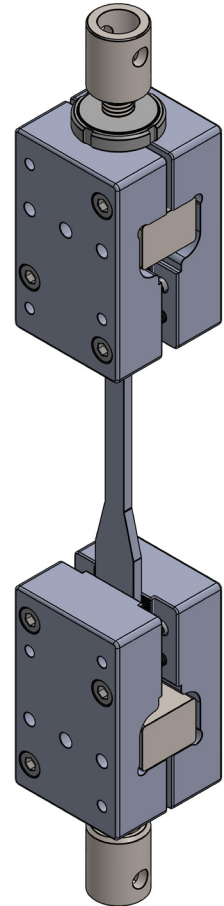
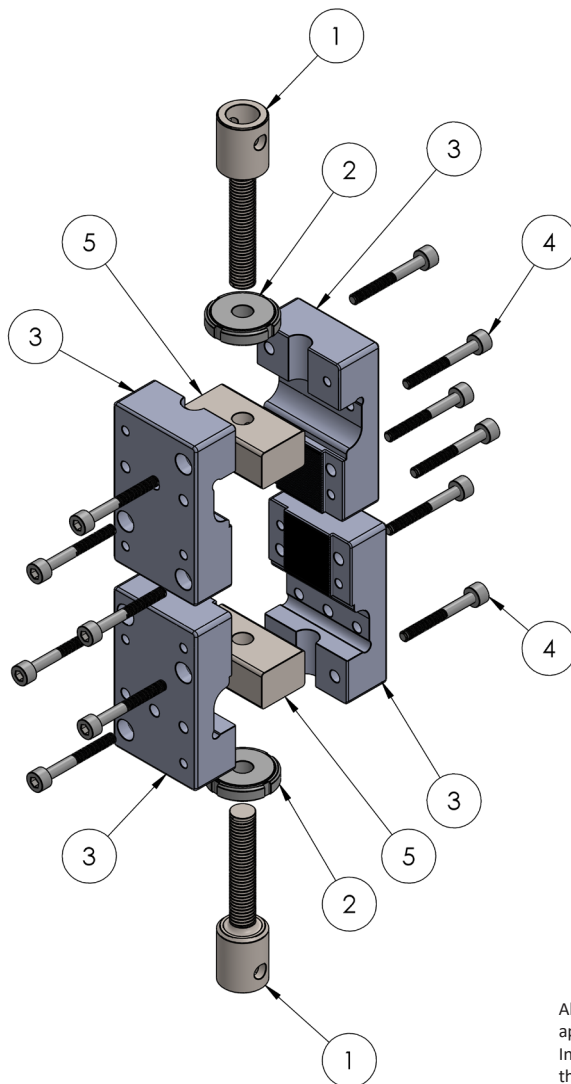
The A-F dynamic test grips are compatible with A-AV-10 connectors. These connectors are not included in the supply and must be ordered separately

Al fine di migliorare le prestazioni tecniche del prodotto, la società si riserva di apportare variazioni senza preavviso.  
In order to improve the technical performances of the product, the company reserves the right to make any change without notice.

## Assembly with couplings

Part	Code	Description	Q.ty
1	AF_DN-01-003	Threaded pin D24-D16 with cup	2
2	SEM1559LIT	Clamping collar-AF D35-M12 series	2
3		Side plate - gripping section	4
4	MIN1521DRC	Hex socket head screw UNI5931 M6x45	12
5	AF_DN-01-002	Draw plate	2

Example of assembly.  
The indicated codes refer to this example.



Al fine di migliorare le prestazioni tecniche del prodotto, la società si riserva di apportare variazioni senza preavviso.  
In order to improve the technical performances of the product, the company reserves the right to make any change without notice.