

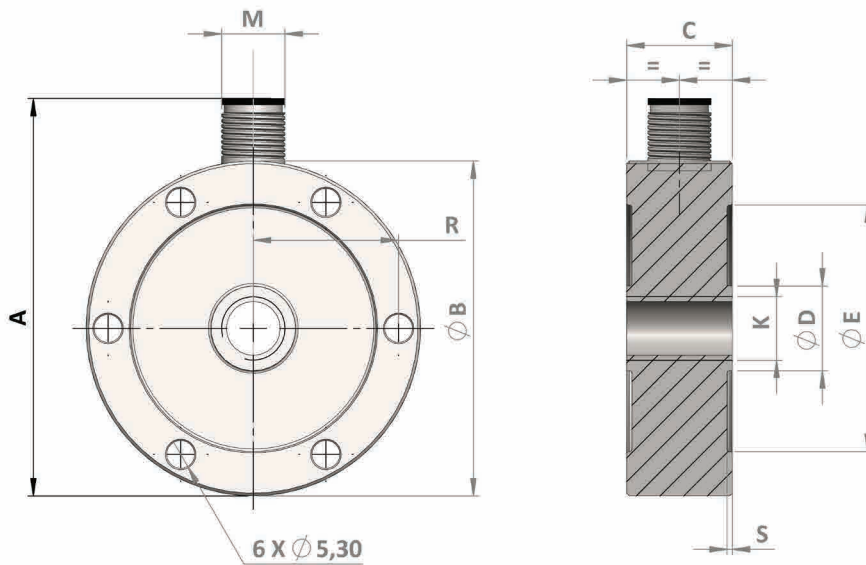


TC-Micro SERIES LOAD CELL

TC-Micro series force transducer.

- Compression and traction
- Amplified +/- 10 V output signal
- Laser welding
- Designed for dynamic stress
- Easy to apply and use
- Reduced size
- Male connector M12 5P
-

Dimensions - Force Transducer

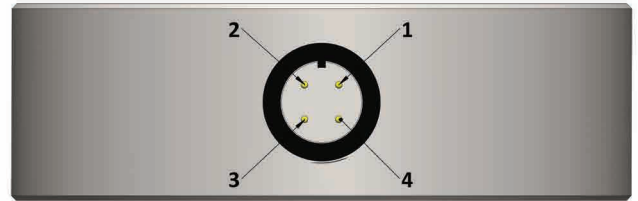


ORDER Code	Max-Load [Kgf]	Dyn-Load [Kgf]	A	B	C	D	E	K	M	R	S
			[mm]								
L-TC-M-100	100	50	63.5	75	20	16	46.6	M12	M12x1 Conn	27.5	1
L-TC-M-250	250	125									
L-TC-M-500	500	250									
L-TC-M-1000	1000	500									

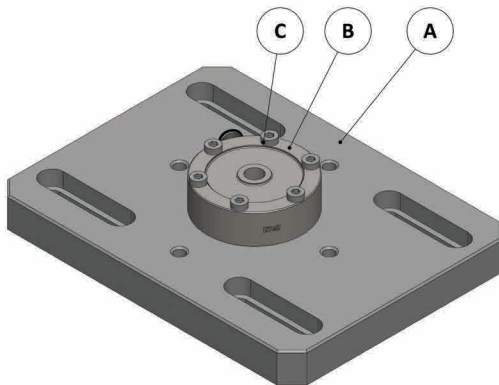
Al fine di migliorare le prestazioni tecniche del prodotto, la società si riserva di apportare variazioni senza preavviso.
In order to improve the technical performances of the product, the company reserves the right to make any change without notice.

Technical specifications and connections

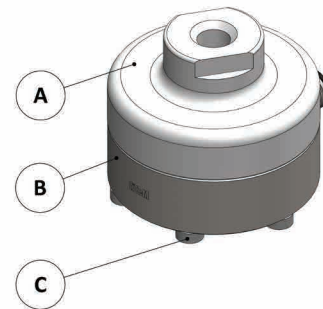
TECHNICAL SPECIFICATIONS	
Nominal load	100-250-500-1000 [kgf]
Linearity	≤ ± 0.05% F.S.
Hysteresis	≤ ± 0.05% F.S.
Nominal sensitivity	± 10 Volt
Calibration tolerance	≤ ± 0.1% F.S.
Nominal power supply	28 Vdc
Max absorption	30 mA
Response frequency	da 0.5 a 5 kHz
Reference temperature	+ 23 °C
Nominal temperature range	-10 / +40 °C
Operating temperature	-10 / +70 °C
Weight	0.28 Kg
Protection class (EN 60529)	IP 67
Material	Stainless Steel
Connector output	Male M12 5 poles
Securing screws:	
- Diameter	M5
- Resistance class	12.9
- Tightening torque	8 Nm



PIN	Description
1	Power supply +
2	Ground
3	Power supply -
4	Signal + output



Rif	Code	Description
A	SEM0449LIT	Aluminium base surface 200x150
B	L-TC-M-XXX	L-TC-M Cell
C	MIN0815LIT	M5x25 TCEI Stainless Steel Screw (hexagon socket cylindrical head)



Rif	Code	Description
A	SEM0661LIT	Stainless steel Plate D63 SUP (M12/16/20/27)
B	L-TC-M-XXX	L-TC-M Cell
C	MIN0815LIT	M5x25 TCEI Stainless Steel Screw (hexagon socket cylindrical head)

Al fine di migliorare le prestazioni tecniche del prodotto, la società si riserva di apportare variazioni senza preavviso. In order to improve the technical performances of the product, the company reserves the right to make any change without notice.