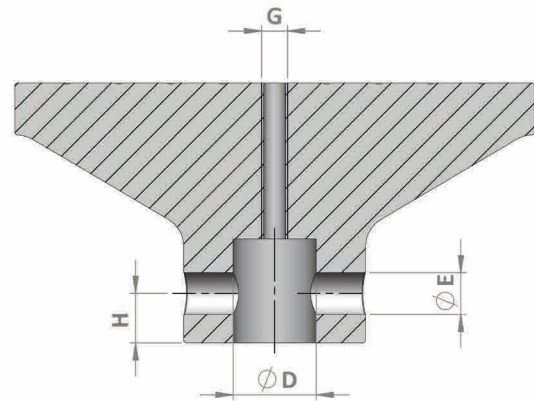
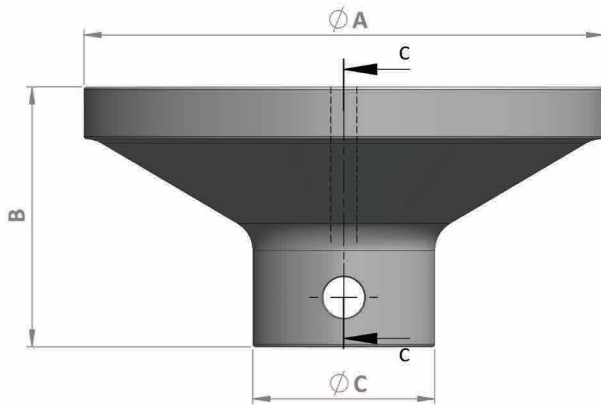
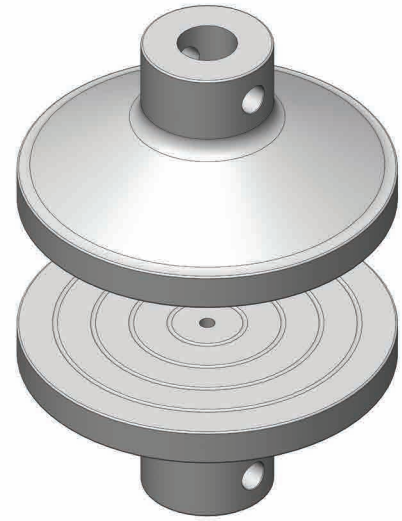


A-CP SERIES COMPRESSION PLATES

Test plate adapted for compression testing on: rubber, sponge, plastics, springs, 3D printing items, composites and assembled components in general.

Characteristics:

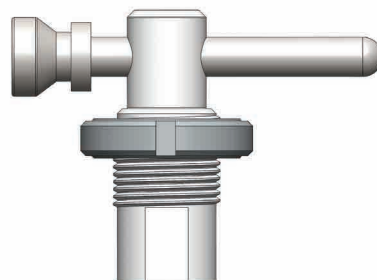
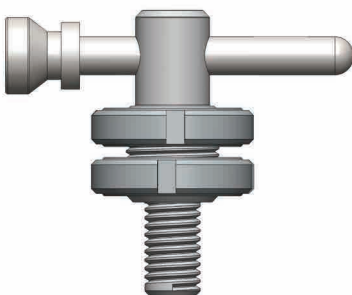
- Grooves to assist with centring the test sample
- Available with diameters from 50 to 150 mm
- Manufactured in aluminium alloy 6082 OX
- Maximum load capacity 10 kN
- Quick securing system using series A-AV-10 couplings



ORDER CODE	Description	Material	Force*	A	B	C	D	E	G
			kN	mm					
A-CP-10-50A	Compression plate D50	Anticorodal	10	50	50	35	8 h7	10	M5
A-CP-10-100A	Compression plate D100			100					
A-CP-10-150A	Compression plate D150			150					

A-AV-10 MALE

A-AV-10 FEMALE



A-CP-10 compression plates are compatible with A-AV-10 couplings. These couplings are not included in the supply and must be ordered separately.

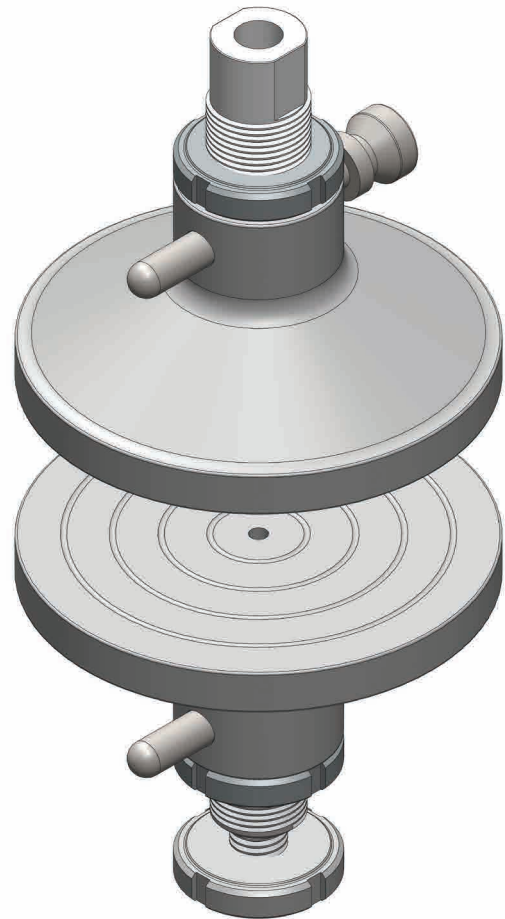
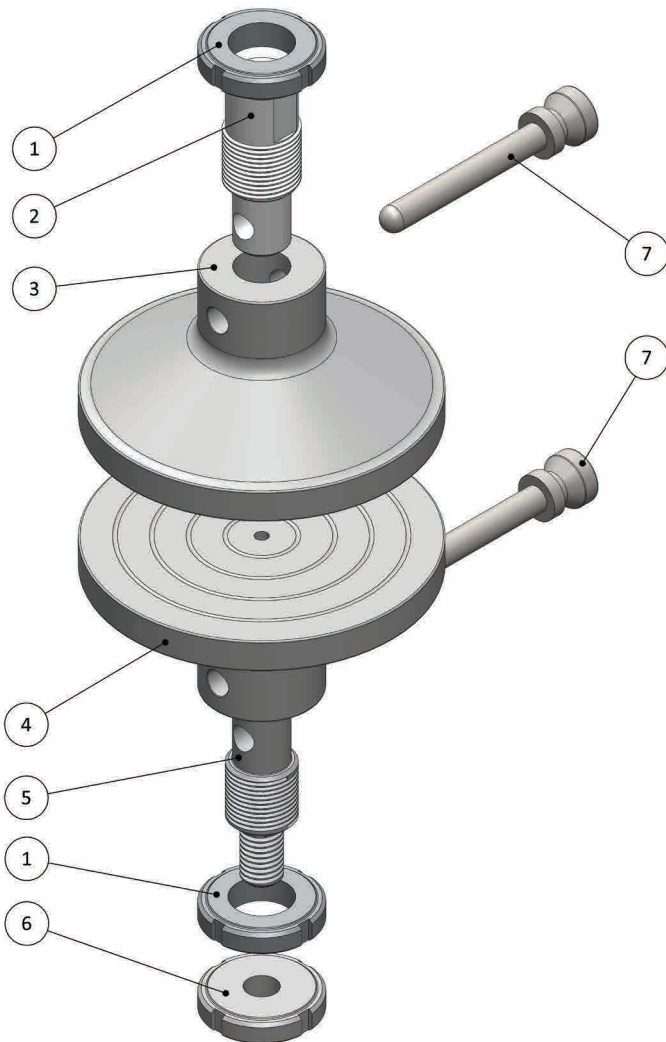
Al fine di migliorare le prestazioni tecniche del prodotto, la società si riserva di apportare variazioni senza preavviso. In order to improve the technical performances of the product, the company reserves the right to make any change without notice.

A-CP COMPRESSION PLATES

Assembly with couplings

Part	Code	Description
1	SEM1561LIT	Clamping collar M20x1.5
2	A-AV-10-F_12	Female coupling pin M12
3	A-CP-10-100A	Compression plate
4	A-CP-10-100A	Compression plate
5	A-AV-10-M_12	Male coupling pin M12
6	SEM1559LIT	Clamping collar M12
7	SEM1562LIT	Lock pin

Example of assembly.
The indicated codes refer to this example.



Al fine di migliorare le prestazioni tecniche del prodotto, la società si riserva di apportare variazioni senza preavviso.
In order to improve the technical performances of the product, the company reserves the right to make any change without notice.

DRC Srl
PRODUCTION and SALES

Via Montesicuro, 58/B - 60131 Ancona (Italy)
Tel (+39) 071 80 36 077

GENERAL INFORMATION
info@litem.info

www.litem.info