

Clamps for static and fatigue tests - racing bicycle handlebar security test ISO 4210-5: part 4.9.2

Clamping kit for running static and fatigue tests both mono-axial and bi-axial on racing bicycle handlebar. Compatible with the BYC-200 series frame.

The Kit includes:

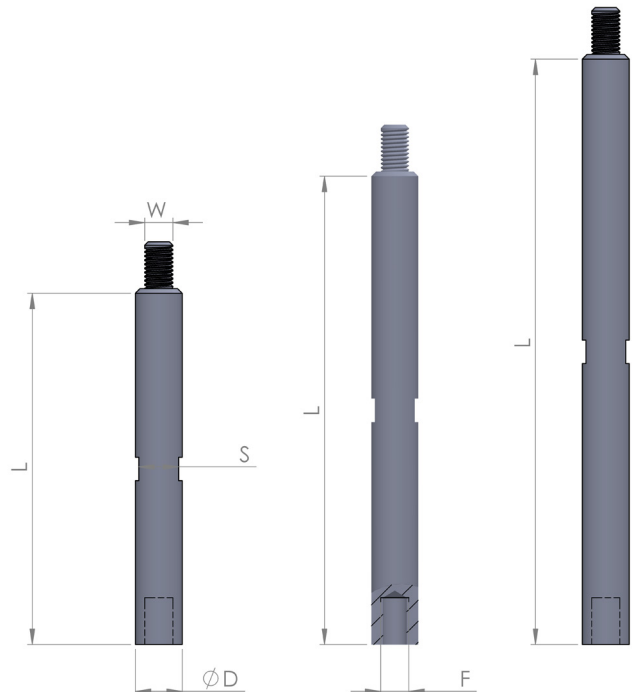
- extension for actuators (3 different lengths)
- pair of V-clamps
- pair of ball joints

Extension for actuators

Extensions are used to connect the actuator stem to the handlebar or component under test. The load cell, the V-clamps and the ball joints complete the gripping set-up.

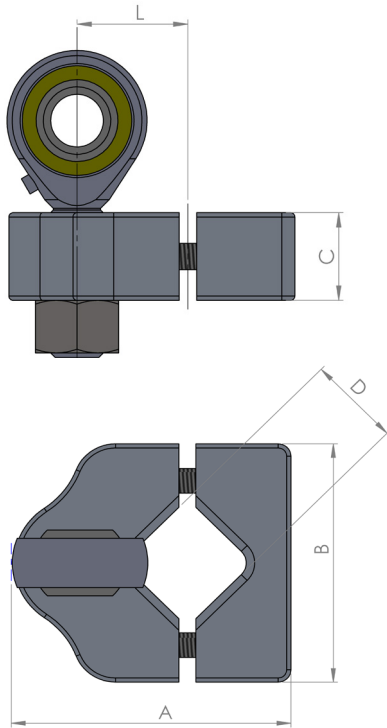
The three different lengths allow to grip handlebars of different sizes without necessarily having to change the position of the BYC-200 frame crossbar.

Rif.	Dimensions [mm]*
L	150 - 200 - 250
S	17
D	20
F	M12x1.75
W	M12x1.75



* Available in different sizes made according to customer specifications

Al fine di migliorare le prestazioni tecniche del prodotto, la società si riserva di apportare variazioni senza preavviso.
In order to improve the technical performances of the product, the company reserves the right to make any change without notice.



V-clamps

The V-clamps allow to attach handlebars, rods and components with different sizes.

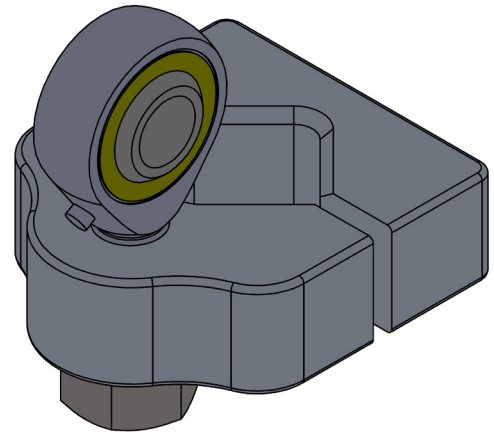
The closure with Allen screws allows a stable and safe fixing in all test conditions.

Rif.	Dimensions [mm]*
A	66
B	58
C	20
D	22
L	25
WW	M12x1.25

Ball joints

The spherical fork joints allow an always correct assembly and guarantee the application of perfectly axial loads with respect to the component under test.

The use of ball joints also protects the actuator stem from harmful lateral loads.



* Available in different sizes made according to customer specifications

Al fine di migliorare le prestazioni tecniche del prodotto, la società si riserva di apportare variazioni senza preavviso.
In order to improve the technical performances of the product, the company reserves the right to make any change without notice.

DRC Srl
PRODUCTION and SALES

Via Montesicuro, 58/B - 60131 Ancona (Italy)
Tel (+39) 071 80 36 077

GENERAL INFORMATION
info@litem.info

www.litem.info