



Clamps for fatigue tests on the frame with horizontal forces ISO 4210-6 part 4.4

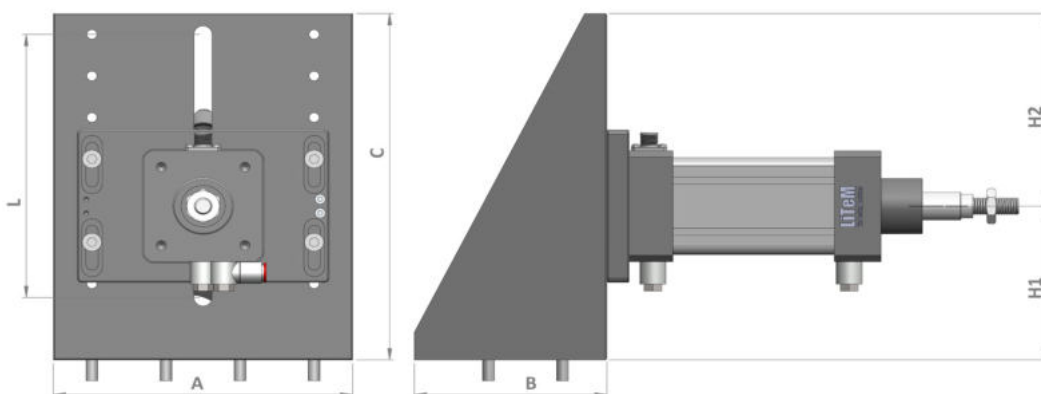
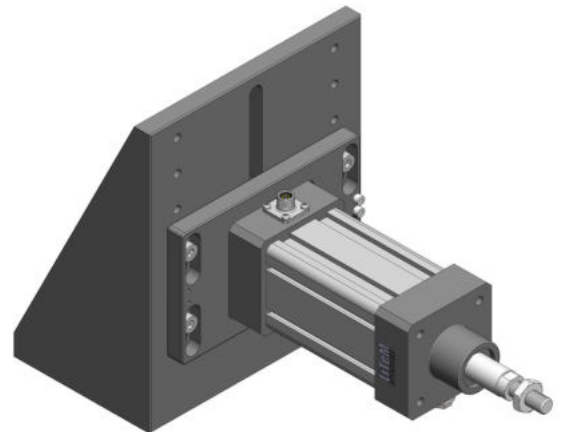
Clamping kit for running fatigue tests on the bicycle frame with horizontal forces applied on the original fork or on the test fork made for running the test. Compatible with the BYC-100 series frame.

Includes three complete accessories:

- Angled support for actuator
- Central carriage with linear rails
- Rear support with cylindrical coupling

Angled support for actuator

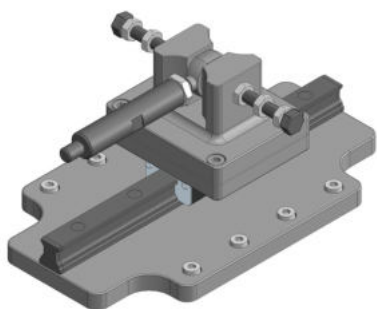
Allows the actuator to be kept in a horizontal position. The height of the actuator can be adjusted vertically and so it correctly adapts to different test frames. Compatible with the interface plate of the BYC-100 frame. Available in different sizes that can be made according to customer specifications.



Rif.	Dimensions [mm]
A	200
B	130
C	250
H1	L/2
H2	L/2
L	190

Al fine di migliorare le prestazioni tecniche del prodotto, la società si riserva di apportare variazioni senza preavviso.
In order to improve the technical performances of the product, the company reserves the right to make any change without notice.

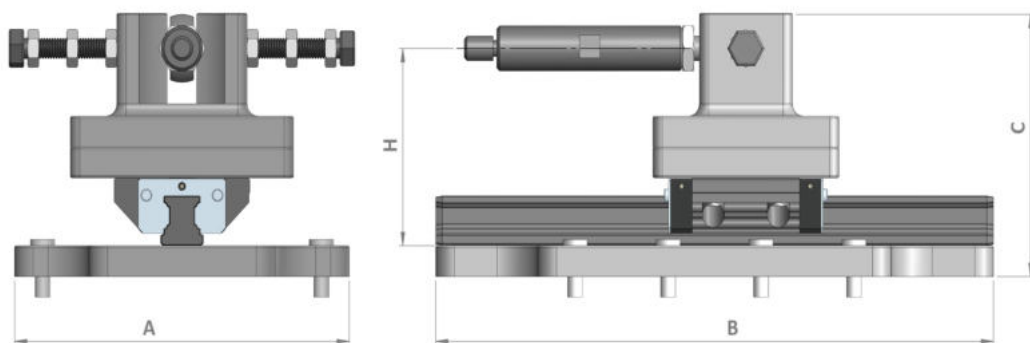
Centralcarriage with linearrails



Allows the frame fork to be secured to the carriage positioned on the linear rail. The actuator rod which will generate the horizontal cyclical movement is connected to the carriage by means of the pin and the ball coupling.

Compatible with the interface plate of the BYC-100 frame.

Rif.	Dimensions [mm]
A	180
B	300
C	130
H	96

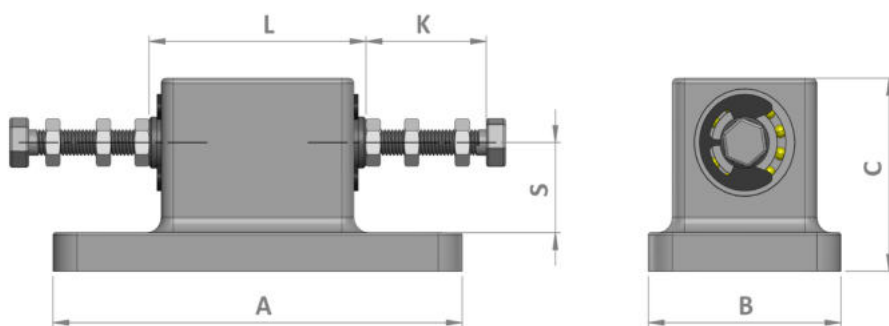
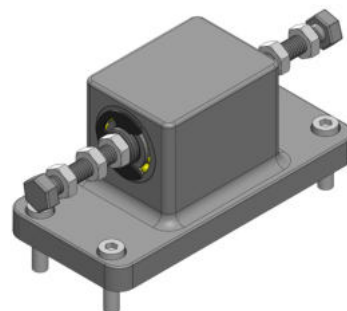


Rear support with cylindrical coupling

Allows the rear fork of the bicycle to be secured to the frame. As specified in the standard, the support is fitted with a bottom cylindrical coupling.

It is compatible with the interface plate of the BYC-100 frame and height-adjustable.

Available in different sizes that can be made according to customer specifications.



Rif.	Dimensions [mm]
A	170
B	80
C	75
L	90
K	45
S	35

Al fine di migliorare le prestazioni tecniche del prodotto, la società si riserva di apportare variazioni senza preavviso. In order to improve the technical performances of the product, the company reserves the right to make any change without notice.

DRC Srl
 PRODUCTION AND SALES
 Via Montesicuro, 58/B - 60131 Ancona (Italy)
 Tel (+39) 071 80 36 077

EnginLAB Srl
 RESEARCH AND DEVELOPMENT
 Via Verità 3/a - 35131 Padova (Italy)
 Tel (+39) 049 20 21 489

GENERAL INFORMATION
info@litem.info

www.litem.info