

ANTI-ROTATION SYSTEM

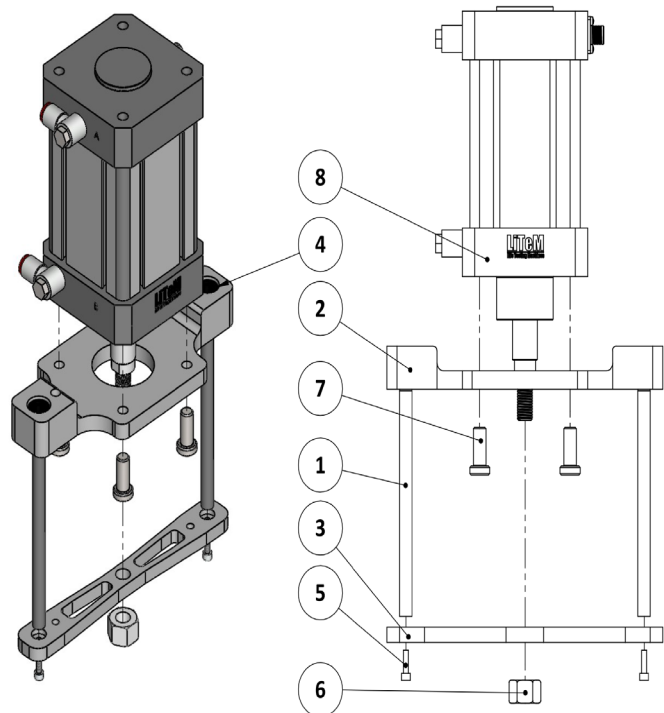
Anti-rotation system for moving the rod of LiTeM pneumatic actuators. The anti-rotation systems are made of aluminium, complete with steel guides and ball recirculation sleeves.

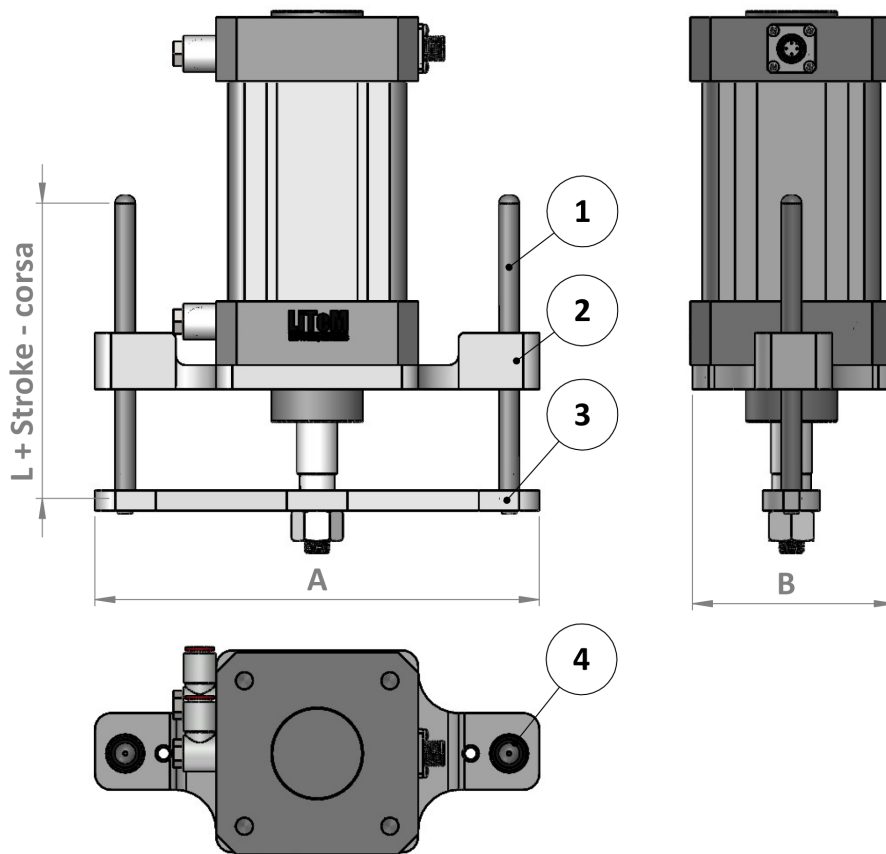
They are available for all types of actuators with 50, 63, 80, 100 and 127 mm bore and strokes of up to 300 mm.

On request, the system is also available for actuators with longer strokes.

Components included in the A-AR kit

Ref.	Qty.	Part
1	2	Guide pin
2	1	Actuator-side fixed support
3	1	Anti-rotation mobile support
4	2	Ball recirculation sleeves
5	2	Guide lock screws
6	1	Actuator rod nut
7	4	Actuator support securing screws
8	1	Pneumatic actuator





Technical specifications

Code	Description	Bore	A [mm]	B [mm]	L [mm]	Actuator stroke [mm]
A-AR-50/S	Anti-rotation system A50/S	50	220	65	90	50-100-150-200-250-300 * 400-500-1000
A-AR-63/S	Anti-rotation system A63/S	63	220	80		
A-AR-80/S	Anti-rotation system A80/S	80	220	95	100	
A-AR-100/S	Anti-rotation system A100/S	100	260	115		
A-AR-125/S	Anti-rotation system A125/S	125	260	140		

* available on request

Al fine di migliorare le prestazioni tecniche del prodotto, la società si riserva di apportare variazioni senza preavviso.
In order to improve the technical performances of the product, the company reserves the right to make any change without notice.

DRC Srl
PRODUCTION and SALES

Via Montesicuro, 58/B - 60131 Ancona (Italy)
Tel (+39) 071 80 36 077

GENERAL INFORMATION
info@litem.info

www.litem.info