

BASE WITH T-SLOT GROOVES series TS-300 300X250 mm

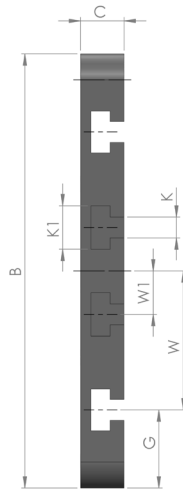
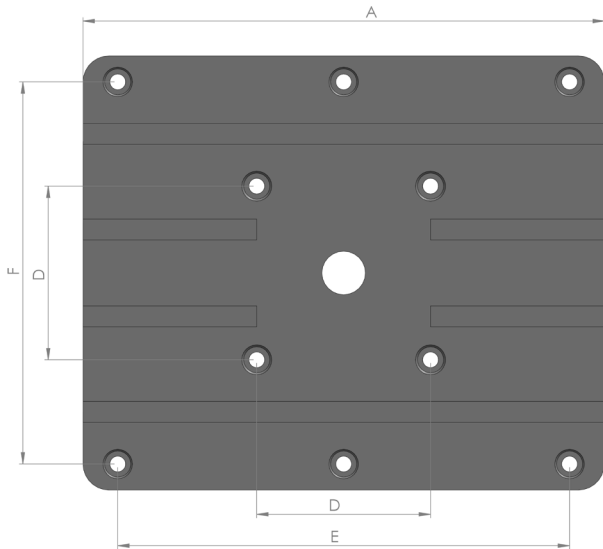
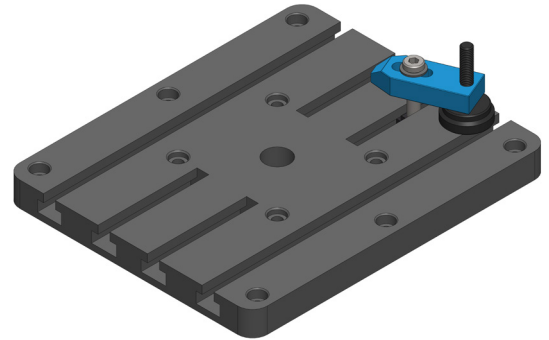
Made with oxidised aluminium with a series of grooves for T12 anchor bolts and M10 screws.

The grooved base is compatible with the MF-P modular pneumatic frames and with the PRI-MA-PN and ELDY systems.

Components and specifications

Components included

Qty.	Description	Code
1	Grooved base 300x250 mm	TS-300-01
3	Bracket kit with adjustable pin	TS-300-02
3	M10 lock bolts and clamping screws	TS-300-03



Dimensions [mm]

A	300
B	250
C	25
D	100
E	260
F	220
G	45
W	80
W1	25
K	12
K1	25

Al fine di migliorare le prestazioni tecniche del prodotto, la società si riserva di apportare variazioni senza preavviso.
In order to improve the technical performances of the product, the company reserves the right to make any change without notice.

DRC Srl

PRODUCTION AND SALES
Via Montesicuro, 58/B - 60131 Ancona (Italy)
Tel (+39) 071 80 36 077

EnginLAB Srl

RESEARCH AND DEVELOPMENT
Via Verità 3/a - 35131 Padova (Italy)
Tel (+39) 049 20 21 489

GENERAL INFORMATION

info@litem.info