

### Clamps for fatigue testing with pedal thrust force

#### ISO 4210-6 part [4.3]

Clamping kit for running fatigue tests on a bicycle frame with vertical forces applied on the pedal cranks.

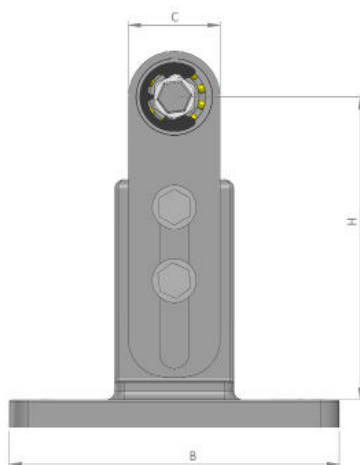
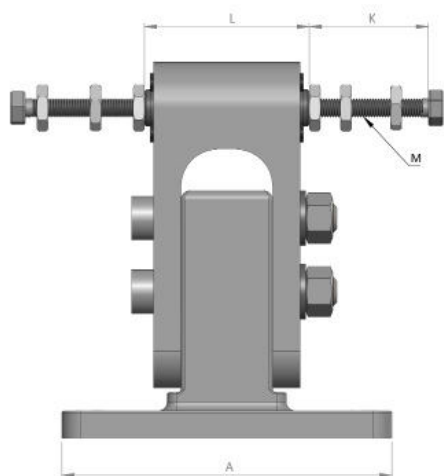
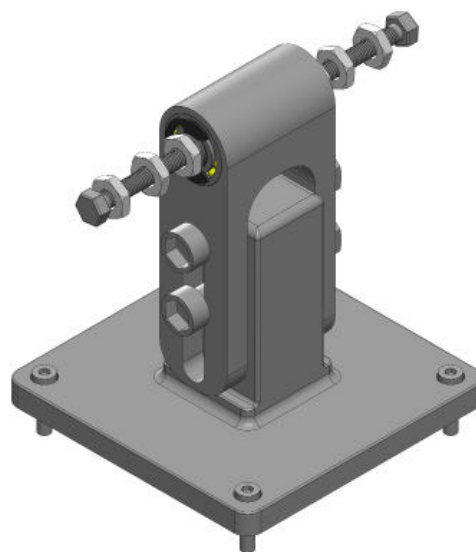
Compatible with the BYC-100 series frame.

Includes three complete supports:

- Front support for fork
- Central movement support
- Rear support with ball coupling

### Front support for fork

Allows the bicycle fork to be secured to be secured to the frame. The support is height-adjustable. Compatible with the interface plate of the BYC-100 frame. Available in different sizes.



Rif.	Dimensions [mm]
A	180
B	180
C	50
H	165 < H < 205
L	90
K	50 < K < 100
M	M10 - M12

Al fine di migliorare le prestazioni tecniche del prodotto, la società si riserva di apportare variazioni senza preavviso.  
In order to improve the technical performances of the product, the company reserves the right to make any change without notice.

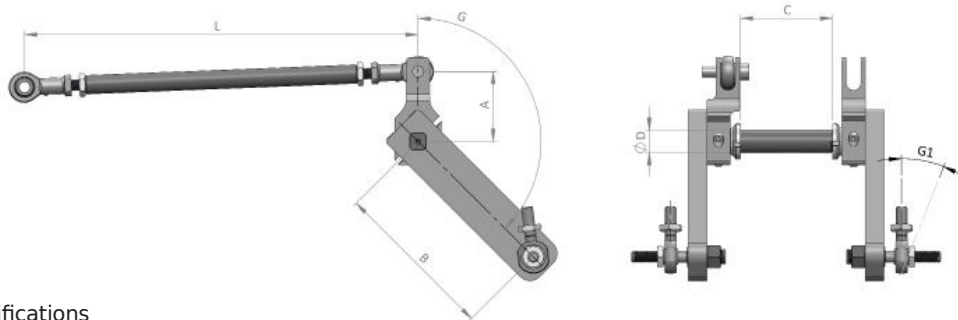


### Front support for fork

It is used when it is not possible to run the test with the central movement supplied together with the frame. As indicated in the standard, the front support allows the thrust actuators to be correctly connected to the frame being tested.

Includes two special supports to connect the central movement support with the rear hub by means of the component that simulates the chain traction.

Rif.	Dimensions [mm]
A	75
B	175
C	$80 < C < 140^*$
D	$24 < D < 35^*$
G	$135^\circ [45^\circ]$
G1	$0^\circ < G1 < 15^\circ$
L	$100 < L < 700^*$



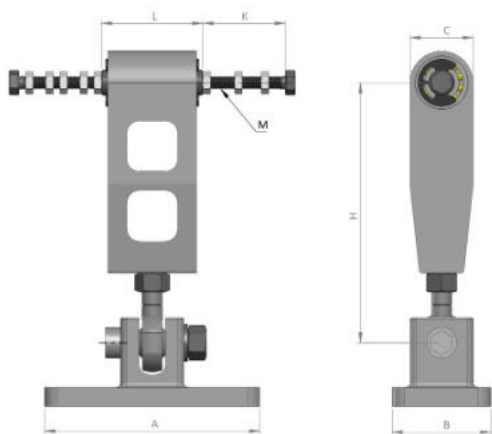
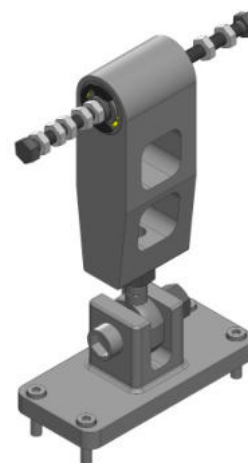
\*Dimensions according to customer specifications

### Rear support with ball coupling

Allows the rear fork of the bicycle to be secured to the frame. As specified in the standard, the support is fitted with a bottom ball coupling.

It is compatible with the interface plate of the BYC-100 frame and height-adjustable.

Available in different sizes.



Rif.	Dimensions [mm]
A	180
B	80
C	50
H	$195 < H < 215$
L	90
K	$50 < K < 100$
M	M10 - M12

Al fine di migliorare le prestazioni tecniche del prodotto, la società si riserva di apportare variazioni senza preavviso. In order to improve the technical performances of the product, the company reserves the right to make any change without notice.

**DRC Srl**  
PRODUCTION AND SALES  
Via Montesicuro, 58/B - 60131 Ancona (Italy)  
Tel (+39) 071 80 36 077

**EnginLAB Srl**  
RESEARCH AND DEVELOPMENT  
Via Verità 3/a - 35131 Padova (Italy)  
Tel (+39) 049 20 21 489

**GENERAL INFORMATION**  
[info@litem.info](mailto:info@litem.info)

[www.litem.info](http://www.litem.info)