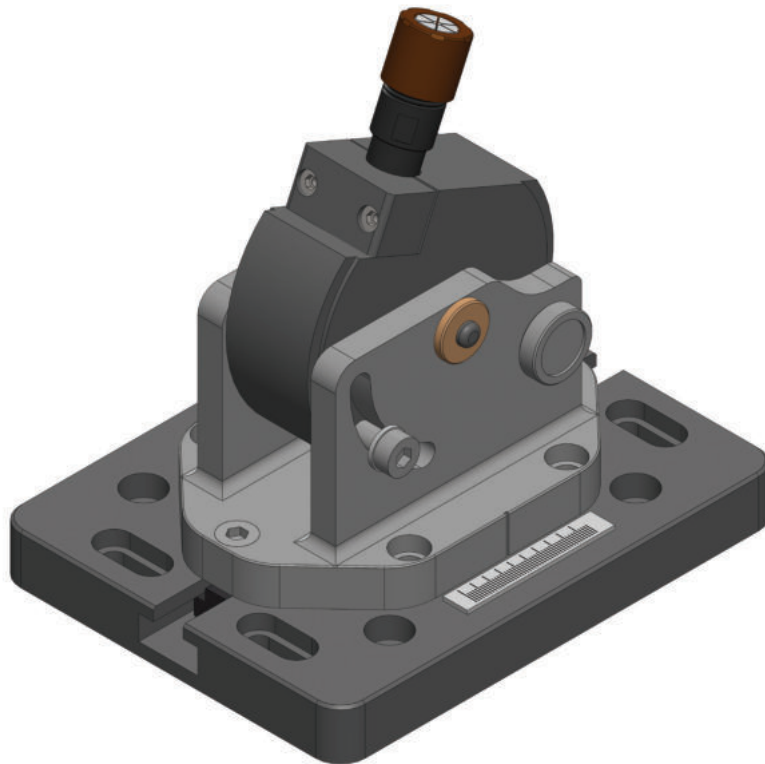


GRIP for fatigue tests on dental implants

Clamps for fatigue tests on dental implants as per ISO 14801 standard



GRIP series A-DIM-10

Clamp for dental implant tests with angle that can be adjusted by the operator.

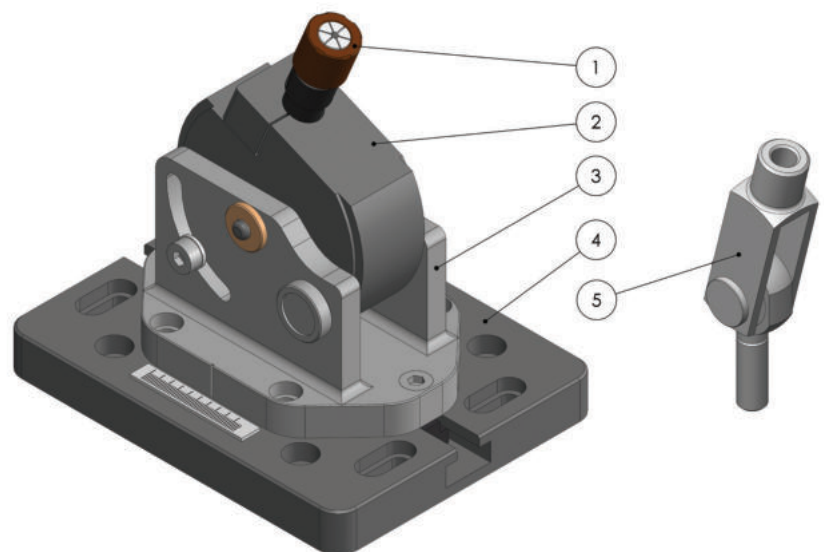
Made of steel and aluminium, the system allows the operator to manually change the inclining angle of the sample being tested with respect to the force application axis.

This solution is useful for running the test in line with the standard, when inclined abutments are used.

This clamp is compatible with all the LiTeM MF-P series modular test machines, with the PRIMA PN series pneumatic systems and the ELDY series electrodynamic systems.

Grip DIM-10 includes:

Rif.	Description
1	Grip and grip-holder for clamping the test sample; 1 flexible grip
2	Central vice with laser-incised gradation
3	External support for vice and locks system orientation
4	Bottom interface base in aluminium
5	Pin with ball coupling for applying load M12 Male - M12 Female
6	Set of M8 screws for anchoring the interface plate



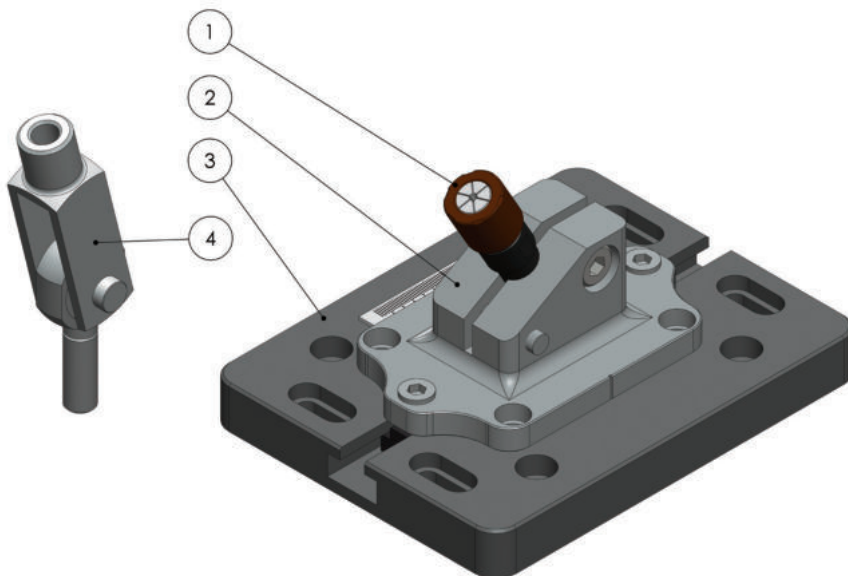
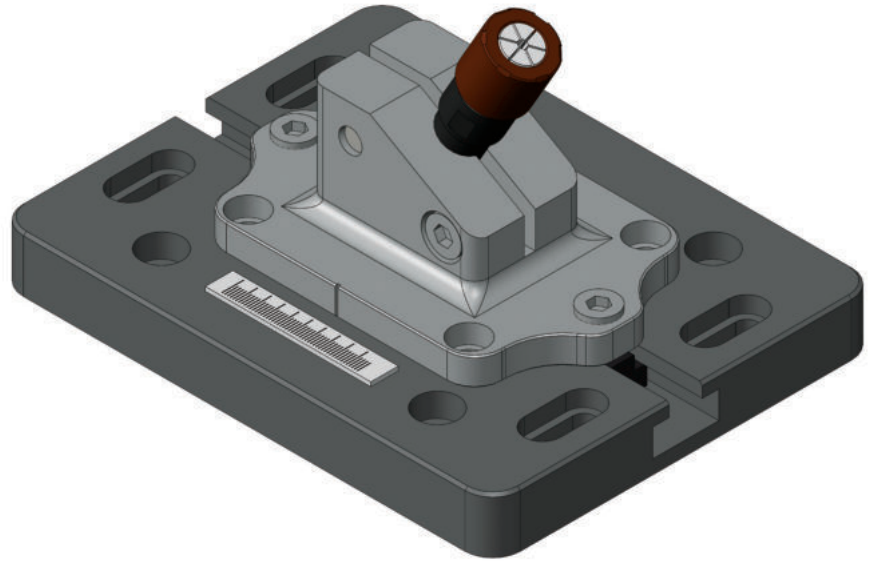
Al fine di migliorare le prestazioni tecniche del prodotto, la società si riserva di apportare variazioni senza preavviso.
In order to improve the technical performances of the product, the company reserves the right to make any change without notice.

GRIP series A-DIM-20

Clamp for dental implant tests with 30° fixed angle as per standard.

This solution is suitable for implants with straight abutment - as prescribed by ISO 14801.

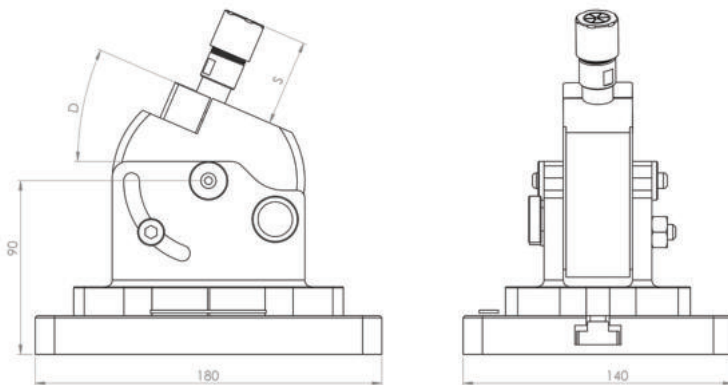
This clamp is compatible with all the LiTeM MF-P series modular test machines, with the PRIMA PN series pneumatic systems and the ELDY series electrodynamic systems.

**Grip A-DIM-20 includes:**

Rif.	Description
1	Grip and grip-holder for clamping the test sample; 1 flexible grip
2	Grip- holder support in aluminium with 30° orientation
3	Bottom interface base in aluminium
4	Pin with ball coupling for applying load M12 Male - M12 Female
5	Set of M8 screws for anchoring the interface plate

Dimensions

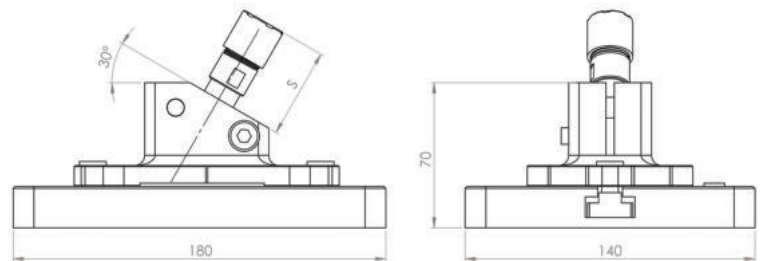
GRIP serie A-DIM-10



Rif.	Technical specifications
S [mm]	$35 < S < 55$
D	$0^\circ < D < 60^\circ$

GRIP serie A-DIM-20

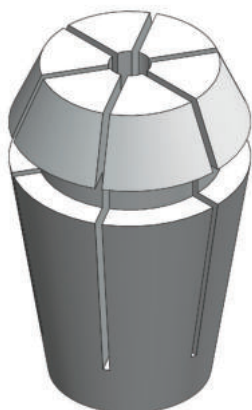
Rif.	Technical specifications
S [mm]	$35 < S < 55$
D	30°



Sample support

The test sample (dental implant) can be clamped by using the flexible grips or using a 16 mm diameter cylinder, inside which the sample is inserted and fixed with resin.

The LiTeM clamping systems from the A-DIM-10 and A-DIM-20 series, are supplied with 1 grip-holder with clamping collar and 1 flexible grip, to be selected when ordering from among those available in the table below.



Code	Description	Range of use [mm]
DIM-0-PE-1.5	Flexible grip - internal diameter 1.5	$1.1 < D < 1.55$
DIM-0-PE-2	Flexible grip - internal diameter 2	$1.6 < D < 2.05$
DIM-0-PE-2.5	Flexible grip - internal diameter 2.5	$2.1 < D < 2.55$
DIM-0-PE-3	Flexible grip - internal diameter 3	$2.6 < D < 3.05$
DIM-0-PE-3.5	Flexible grip - internal diameter 3.5	$3.1 < D < 3.55$
DIM-0-PE-4	Flexible grip - internal diameter 4	$3.6 < D < 4.05$
DIM-0-PE-4.5	Flexible grip - internal diameter 4.5	$4.1 < D < 4.55$
DIM-0-PE-5	Flexible grip - internal diameter 5	$4.6 < D < 5.05$

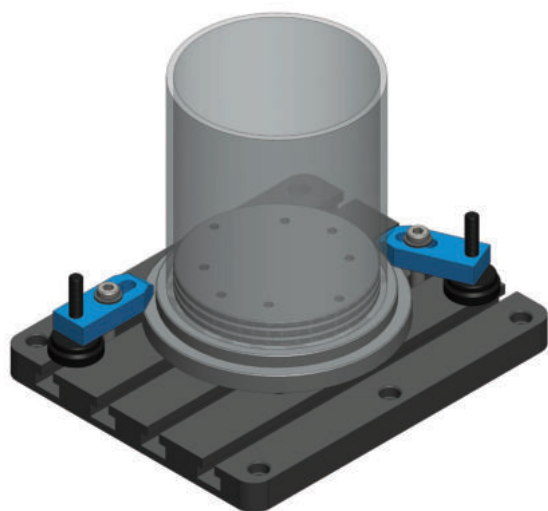
All the grips are compatible with the grip-holder included in the clamping system.

Accessories

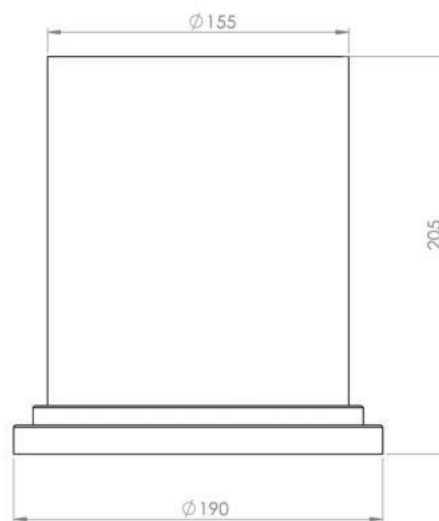
Tanks series DIM-L*

The DIM series clamping systems, in the fixed and adjustable versions can be supplied with liquid containers. The LiTeM containers are made of oxidised aluminium and plexiglass. Both A-DIM-10 and A-DIM-20 models are compatible with the DIM-L tanks. The supports are secured directly to the base of the tank, without the use of the interface base.

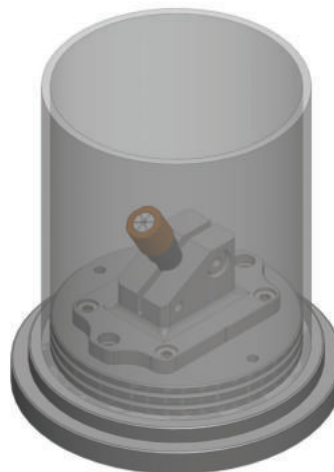
The A-DIM-L series tank is supplied complete with a 300x250 base with T-slot grooves and related securing brackets. The 300x250 base with T-slot grooves is also compatible with the LiTeM MF-P series modular systems, with the PRIMA PN series pneumatic systems and the ELDY series electrodynamic systems.



A-DIM-L10



A-DIM-L05



Al fine di migliorare le prestazioni tecniche del prodotto, la società si riserva di apportare variazioni senza preavviso.
In order to improve the technical performances of the product, the company reserves the right to make any change without notice.

DRC Srl
PRODUCTION AND SALES
Via Montesicuro, 58/B - 60131 Ancona (Italy)
Tel (+39) 071 80 36 077

EnginLAB Srl
RESEARCH AND DEVELOPMENT
Via Verità 3/a - 35131 Padova (Italy)
Tel (+39) 049 20 21 489

GENERAL INFORMATION
info@litem.info

www.litem.info