

Clamps for static and fatigue testing on handlebars ISO 4210-5 part 4.9

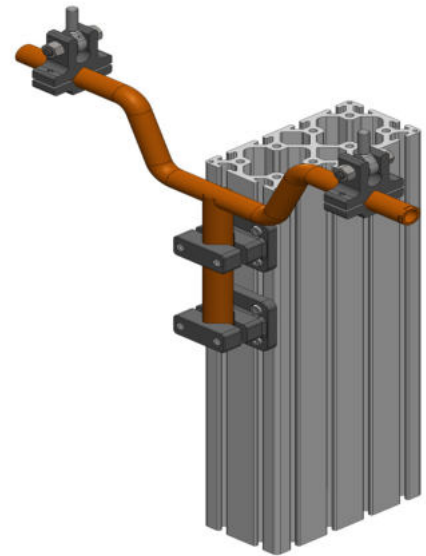
Clamping kit for performing mono-axial and biaxial, static and fatigue testing on bicycle handlebars. Compatible with the BYC-100 series frame.

The system includes an aluminium draw piece and a series of clamps for connecting and applying the load onto the component being tested.

Angled support for actuator

Two clamps connected to the aluminium draw piece allows the handlebars stem to be fixed in a vertical position (as in the photo) or horizontally. Manufactured with a "V"-shaped device, they allow you to fix various kinds of stems with different sections.

Two top clamps are connected to the handlebars and, through the ball coupling they are fitted with, they can be connected to the actuators which will apply the load. The two clamps are manufactured with a "V"-shaped device which allow them to be used on different frame sections.



** Available in different sizes that can be made according to customer specifications*

Al fine di migliorare le prestazioni tecniche del prodotto, la società si riserva di apportare variazioni senza preavviso.
In order to improve the technical performances of the product, the company reserves the right to make any change without notice.

DRC Srl
PRODUCTION AND SALES
Via Montesicuro, 58/B - 60131 Ancona (Italy)
Tel (+39) 071 80 36 077

EnginLAB Srl
RESEARCH AND DEVELOPMENT
Via Verità 3/a - 35131 Padova (Italy)
Tel (+39) 049 20 21 489

GENERAL INFORMATION
info@litem.info

www.litem.info