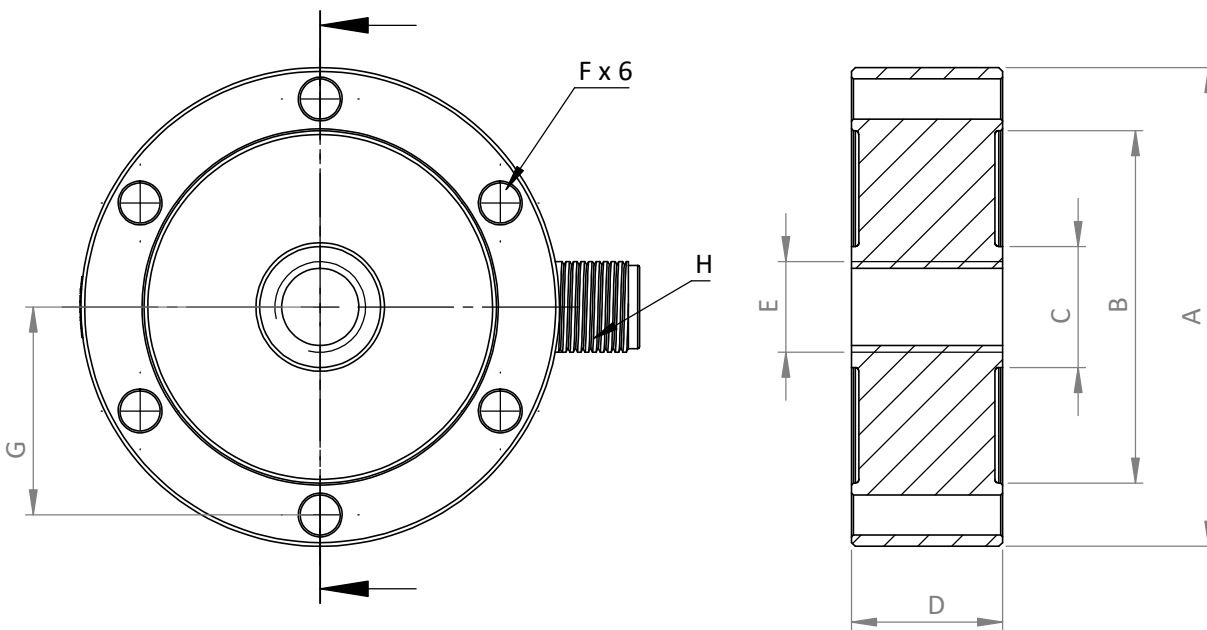




LC-TC load cell

- Compression and tension
- Output 0-10 V - amplified
- M12x1 male connector
- Laser welding
- Dynamic stresses
- CE Certification
- Cable 5 m

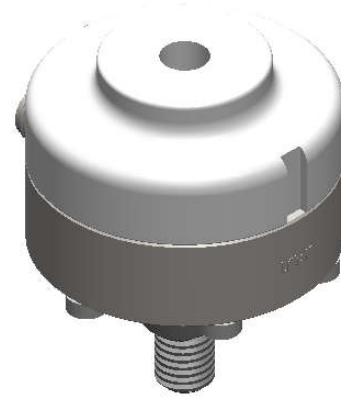
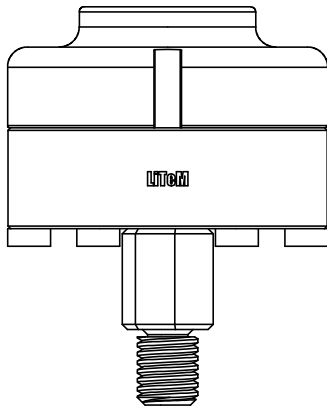


Code	Load (kg)	A	B	C	D	E	F	G	H
01-S-SS-001	100	63	46.5	16	20	M12	D5.3	27.5	M12x1
01-S-SS-002	250								
01-S-SS-003	500								
01-S-SS-004	1000								

Al fine di migliorare le prestazioni tecniche del prodotto, la società si riserva di apportare variazioni senza preavviso.
In order to improve the technical performance of the product, the company reserves the right to make any change without notice.

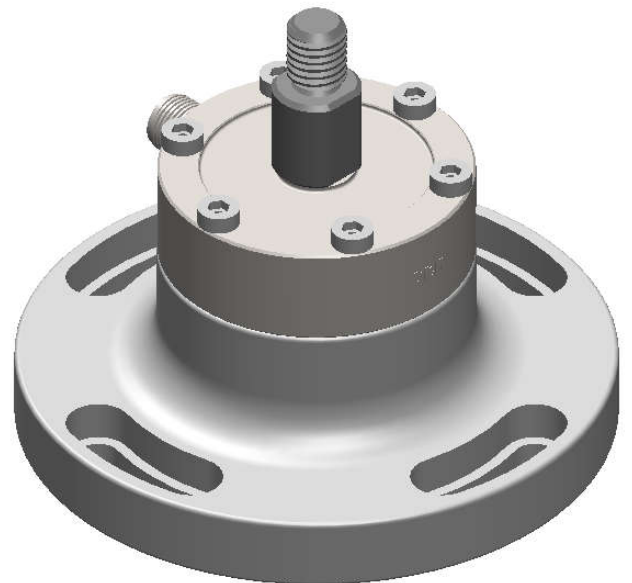
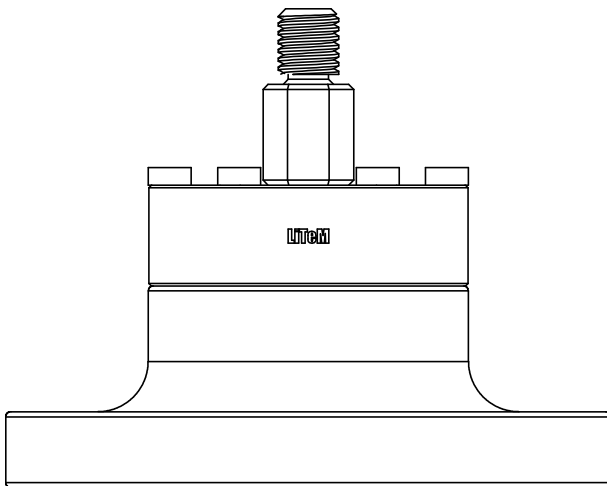
Technical specifications

Nominal load	100 - 250 - 500 - 1000 Kg
Linearity	$\leq \pm 0.05\%$ F.S.
Hysteresis	$\leq \pm 0.05\%$ F.S.
Nominal sensitivity	± 10 V
Sensitivity tolerance	$\leq \pm 0.1\%$ F.S.
Nominal power supply	18-24 Vdc
Max power supply	28 Vdc
Max absorption	30 mA
Responce frequency	from 0.5 to 5 kHz
Reference temperature	+23 °C
Temperature nominal range	-10 / +40 °C
Service temperature	-10 / + 70 °C
Weight	0.28 Kg
Protection class	IP 67
Material	Stainless steel



CODE : 01-S-A-002/003/004

Upper plate for load cell mounting; available with M12-M16-M27 fixing screw both in aluminum and stainless steel



CODE : 01-S-A-008

Lower plate for load cell mounting; available both in aluminum and stainless steel